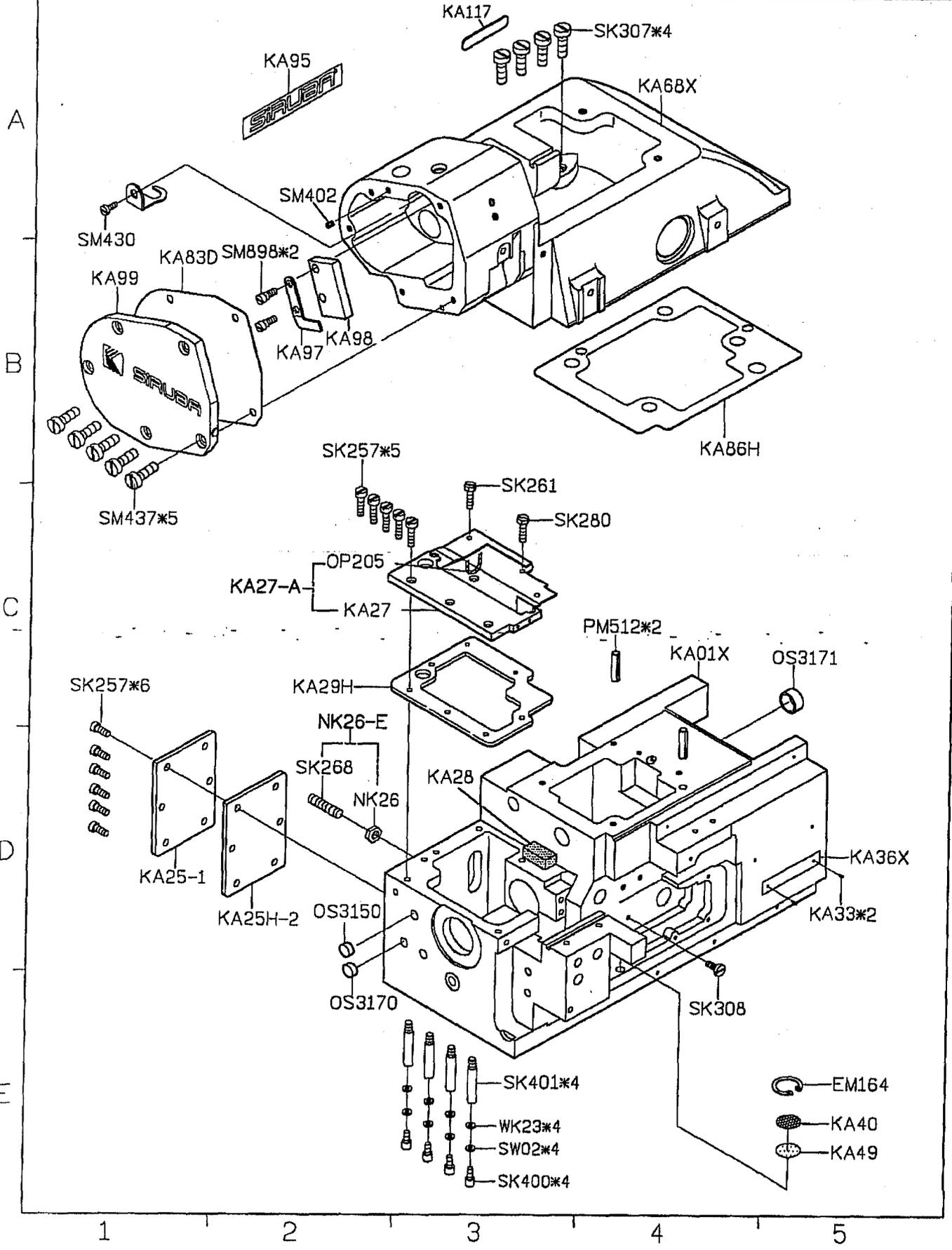
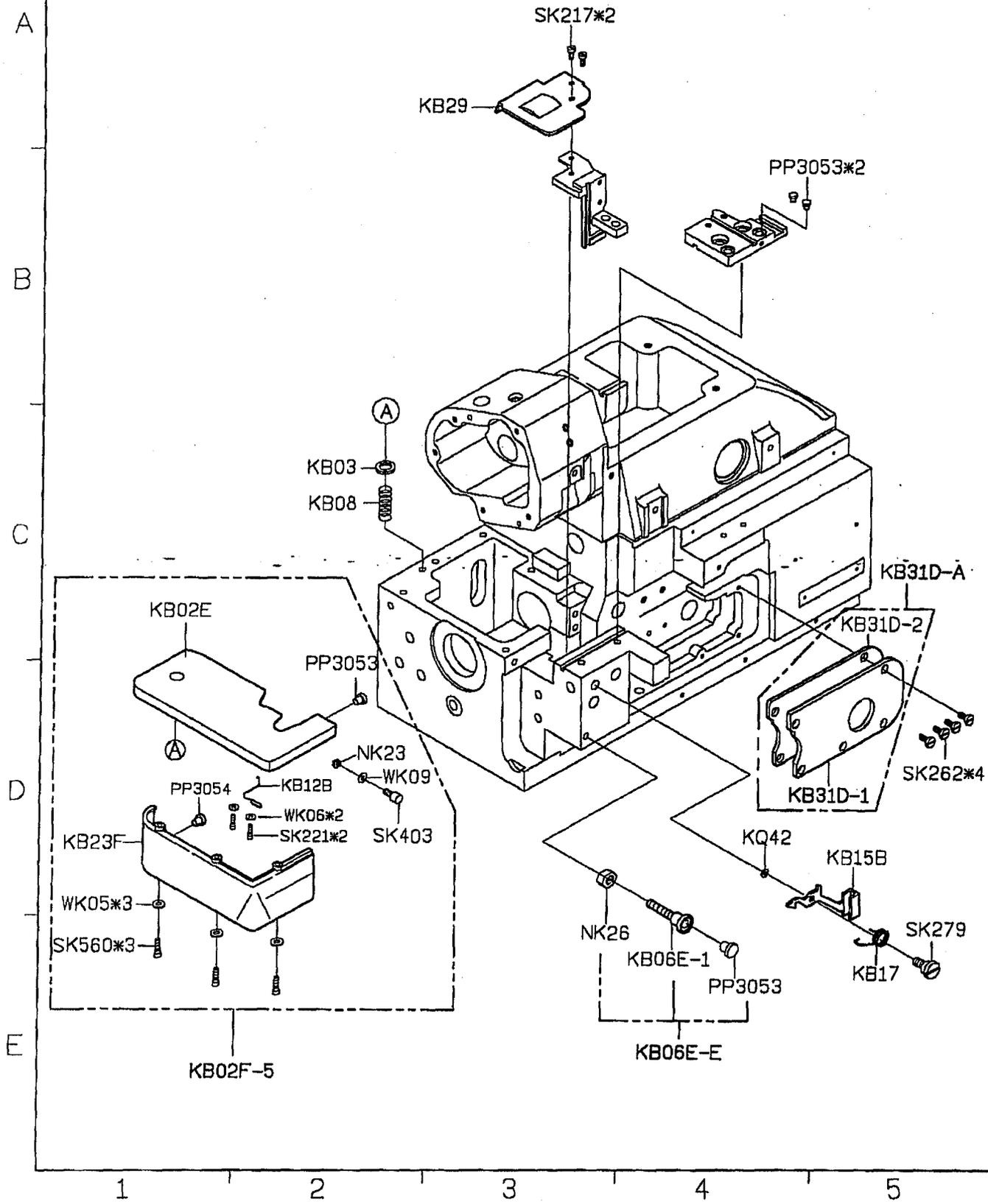




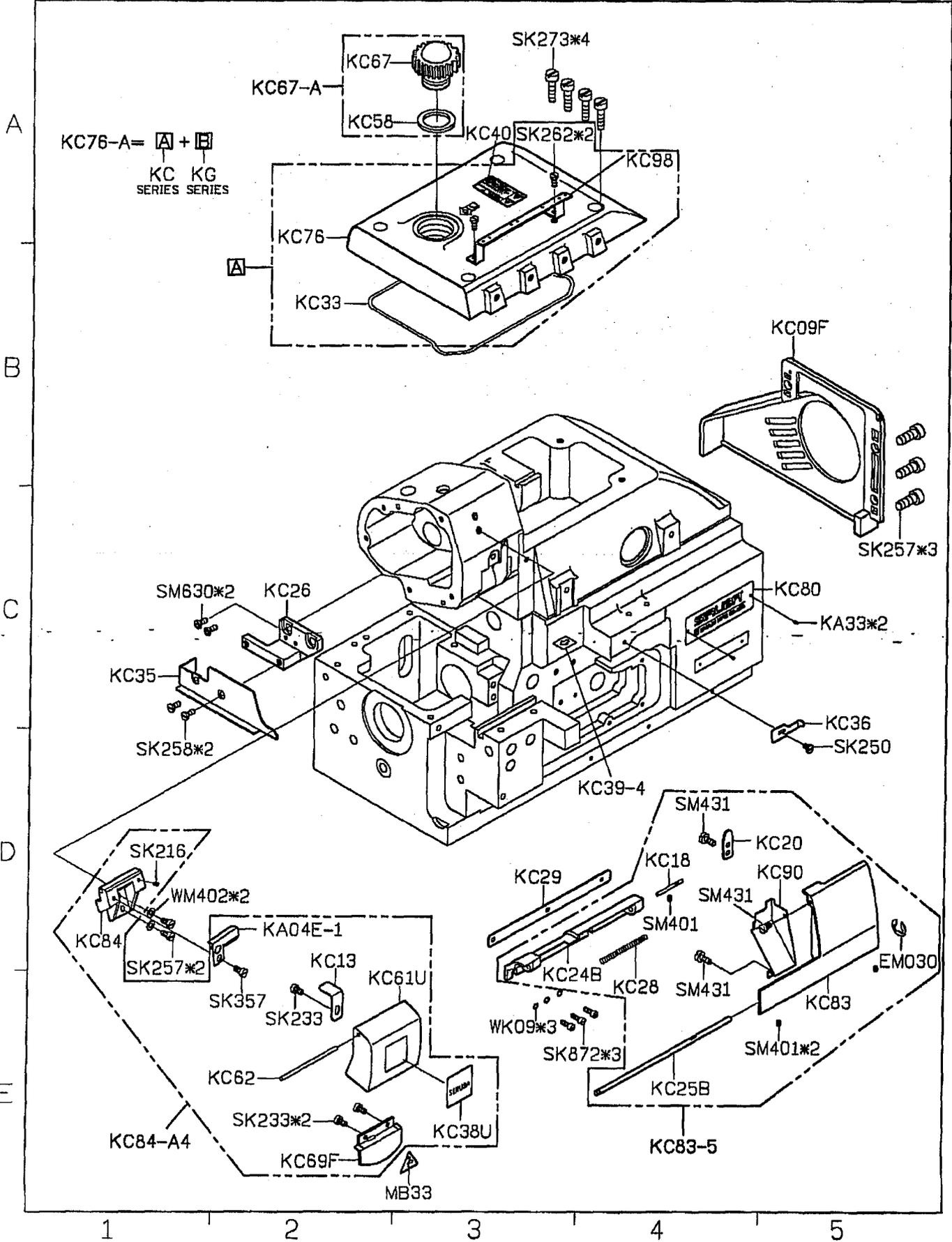
<b>SIRUBA</b> PARTS LIST	Series	Parts Group	Subclass / Remark	Page
	<b>700UX</b>	<b>KA</b>		1/1
				Date
				2013/08/10



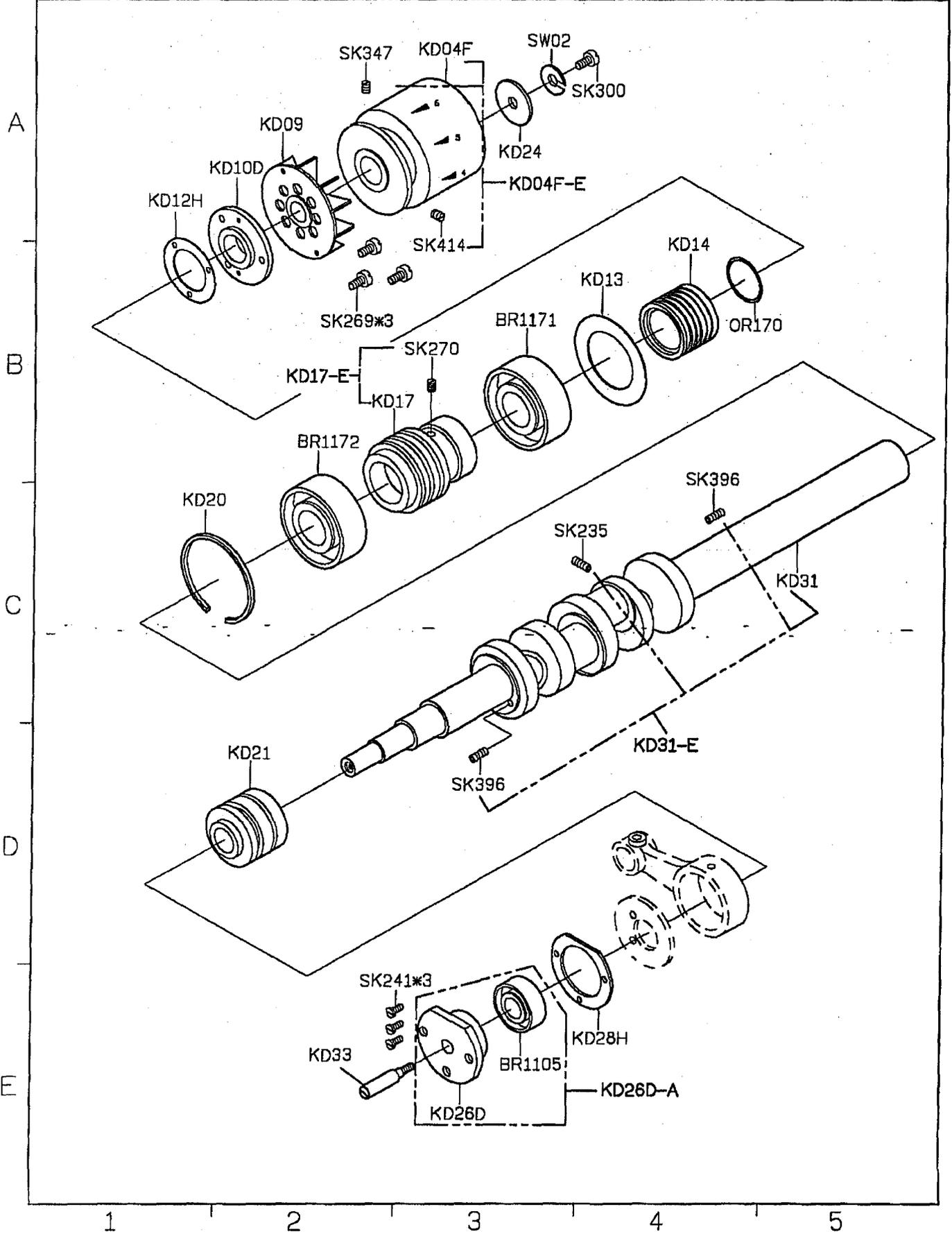
SIRUBA PARTS LIST	Series	Parts Group	Subclass / Remark	Page
	700UX	KB		1/1
				Date
				2013/08/10



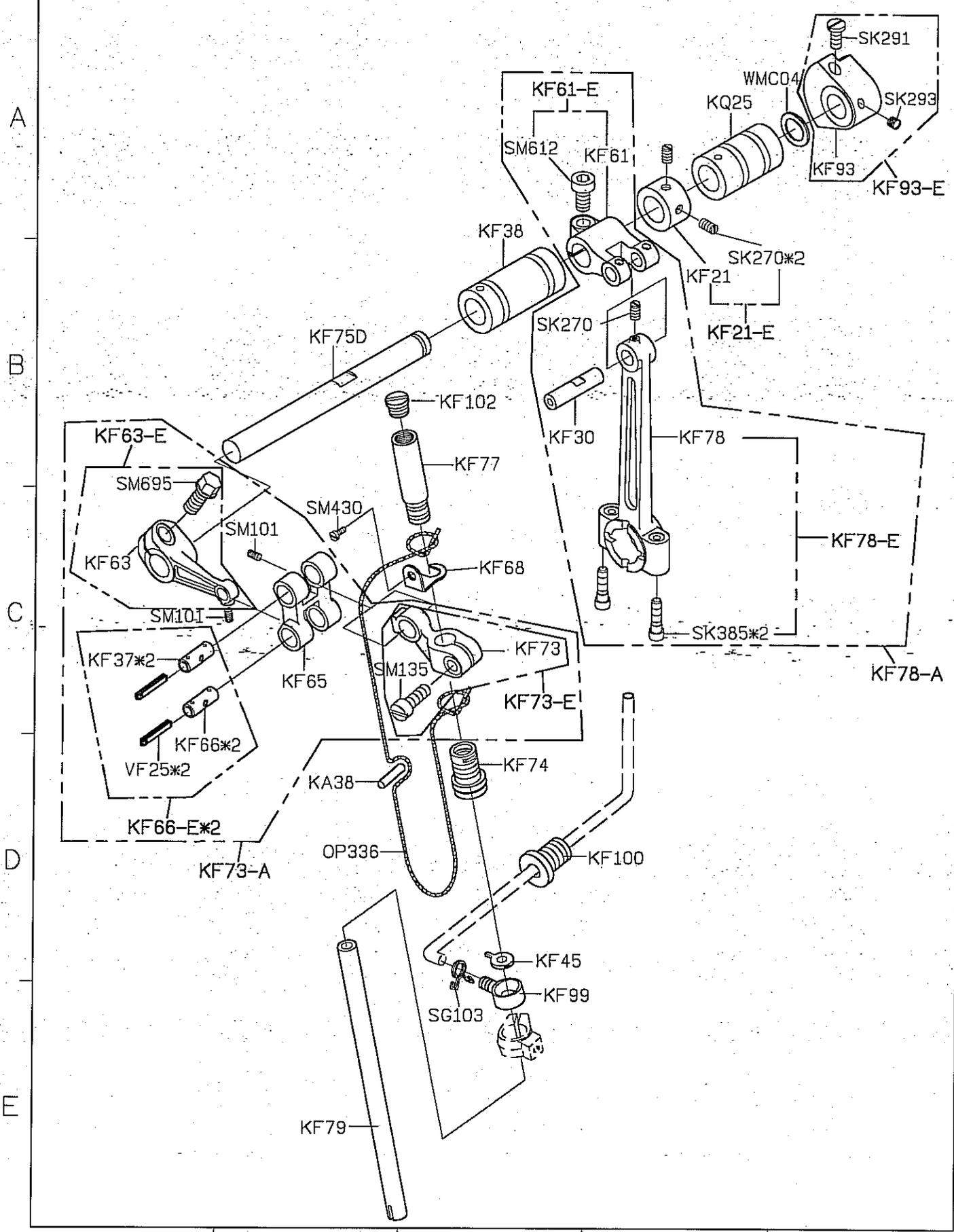
PARTS LIST	Series	Parts Group	Subclass / Remark	Page
	700UX	KC		1/1
				Date
				2013/08/10



<b>SIRUBA</b> PARTS LIST	Series	Parts Group	Subclass / Remark	Page
	<b>700UX</b>	<b>KD</b>		1/1
				Date
				2013/08/10



<b>SIRUBA</b> PARTS LIST	Series	Parts Group	Subclass / Remark	Page
	<b>700UX</b>	<b>KF</b>		1/1
				Date
				2013/11/01



1                      2                      3                      4                      5

SIRUBA PARTS LIST	Series	Parts Group	Subclass / Remark	Page
	700UX	KG		1/1
				Date
				2013/08/10

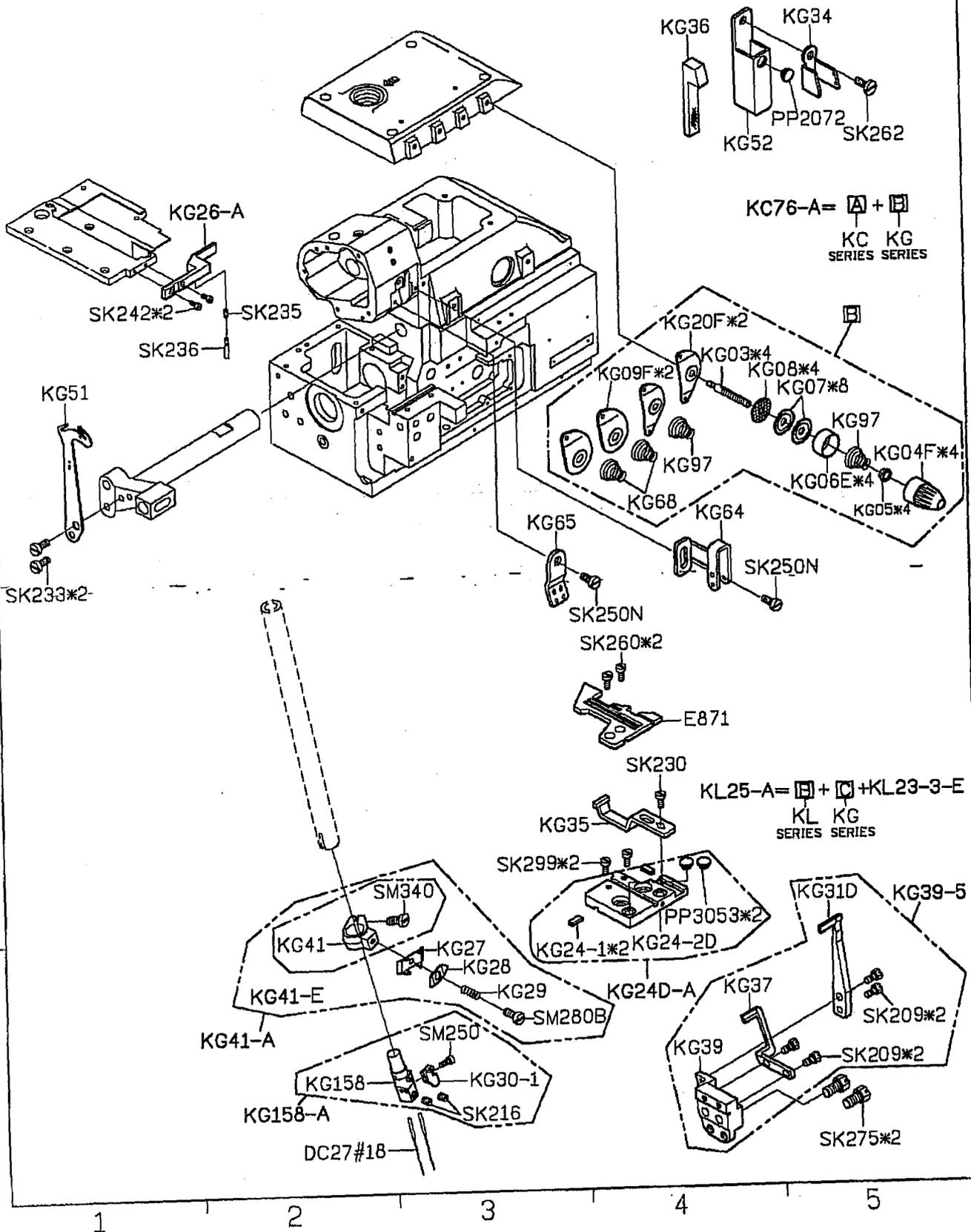
A

B

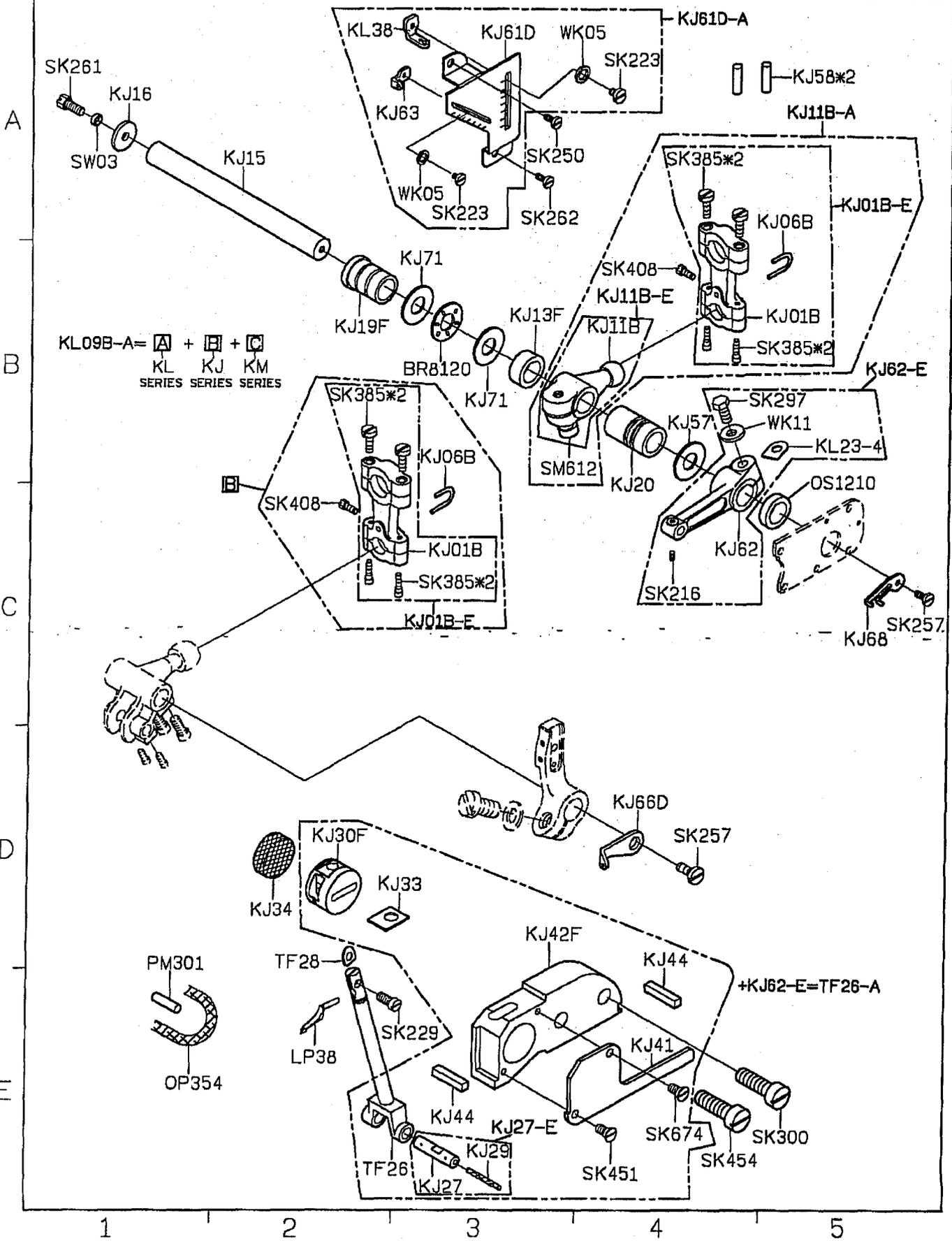
C

D

E

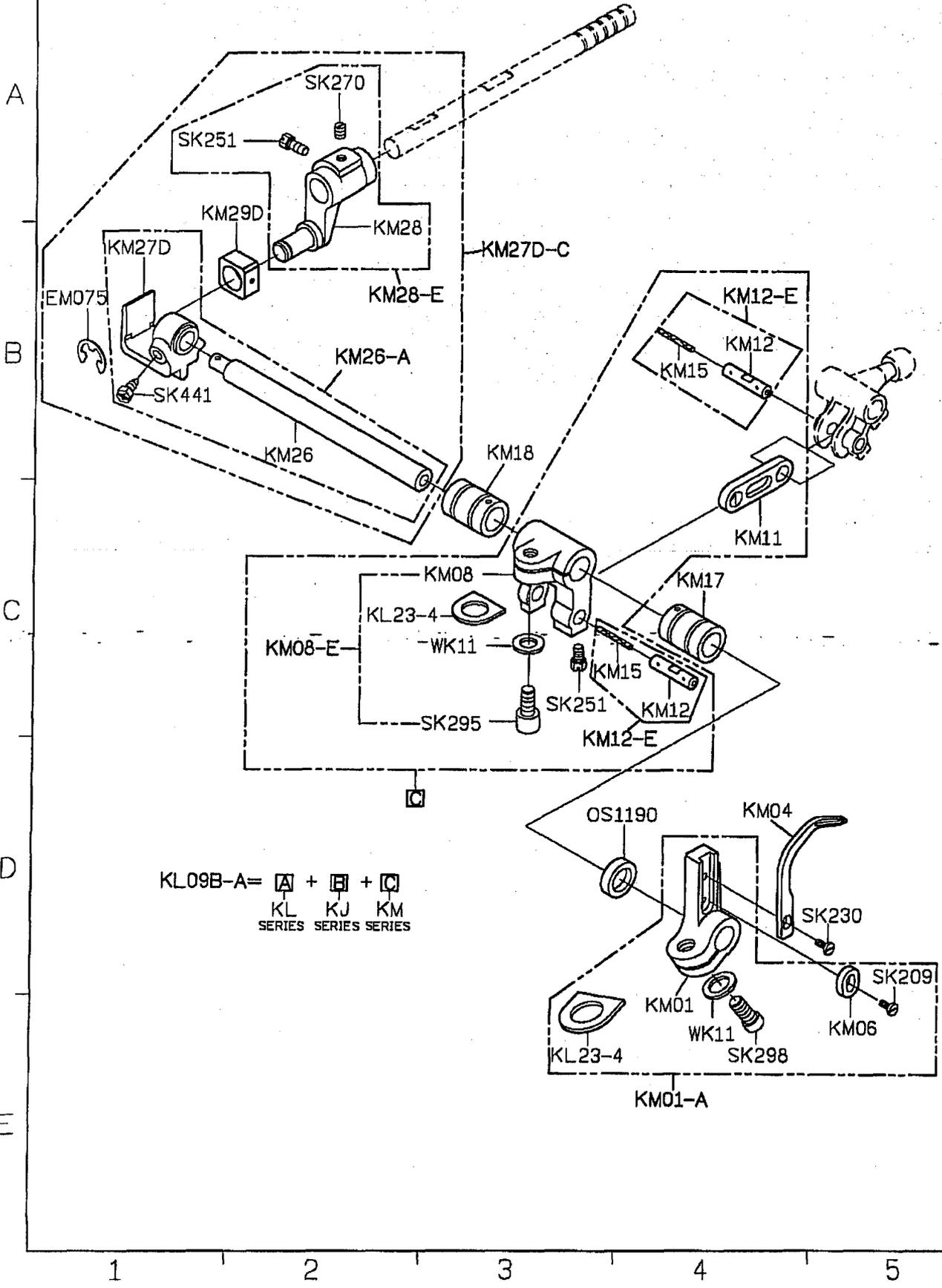


SIRUBA PARTS LIST	Series	Parts Group	Subclass / Remark	Page
	700UX	KJ		1/1
				Date
				2013/08/10





<b>SIRUBA</b> PARTS LIST	Series	Parts Group	Subclass / Remark	Page
	<b>700UX</b>	<b>KM</b>		1/1
				Date
				2013/08/10



**SIRUBA**

PARTS LIST

Series

**700UX**

Parts Group

**KN**

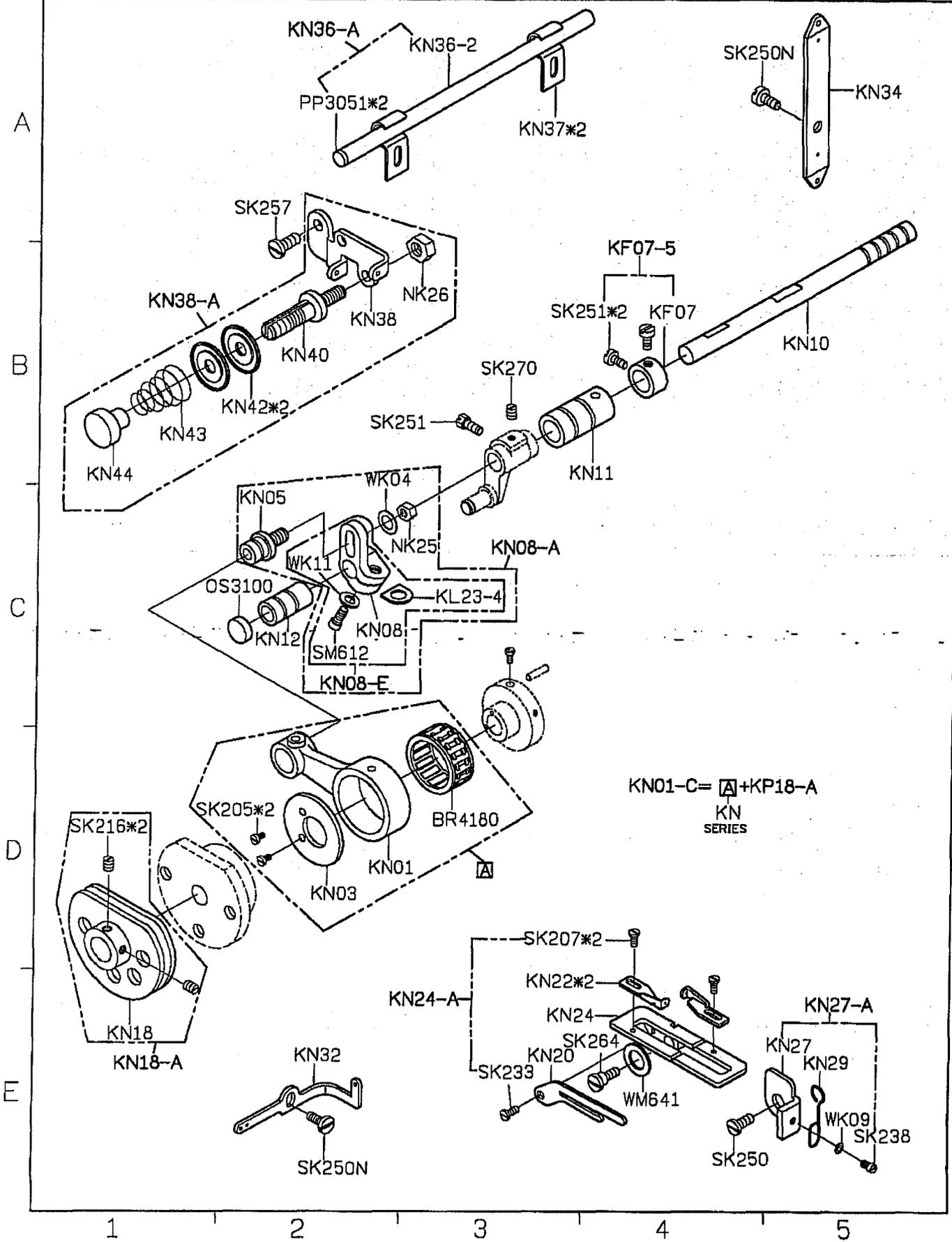
Subclass / Remark

Page

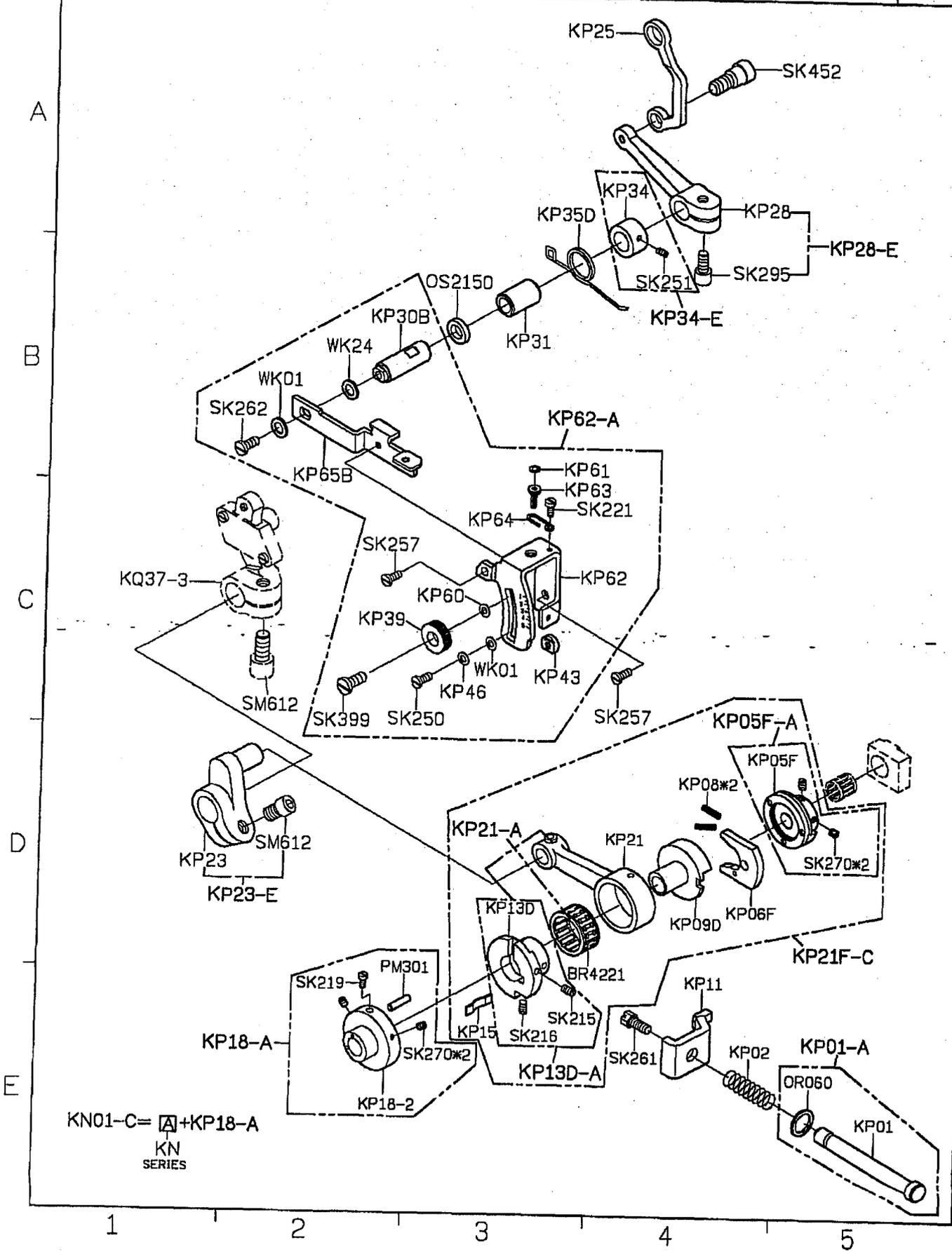
1/1

Date

2013/08/10



<b>SIRUBA</b> PARTS LIST	Series	Parts Group	Subclass / Remark	Page
	<b>700UX</b>	<b>KP</b>		1/1
				Date
				2013/08/10



1

2

3

4

5

**SIRUBA**

PARTS LIST

Series

**700UX**

Parts Group

**KQ**

Subclass / Remark

Page

1/1

Date

2013/08/10

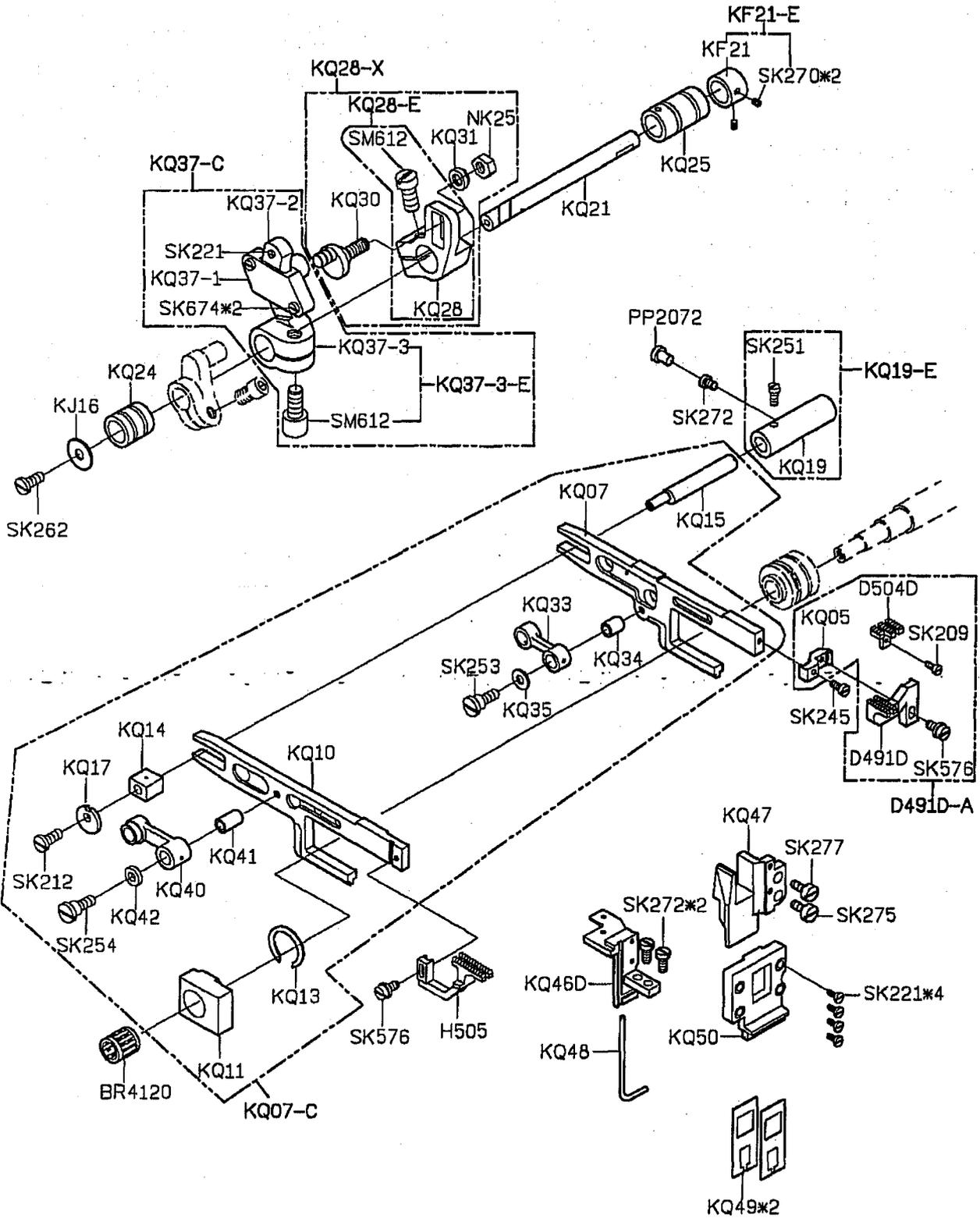
A

B

C

D

E



1

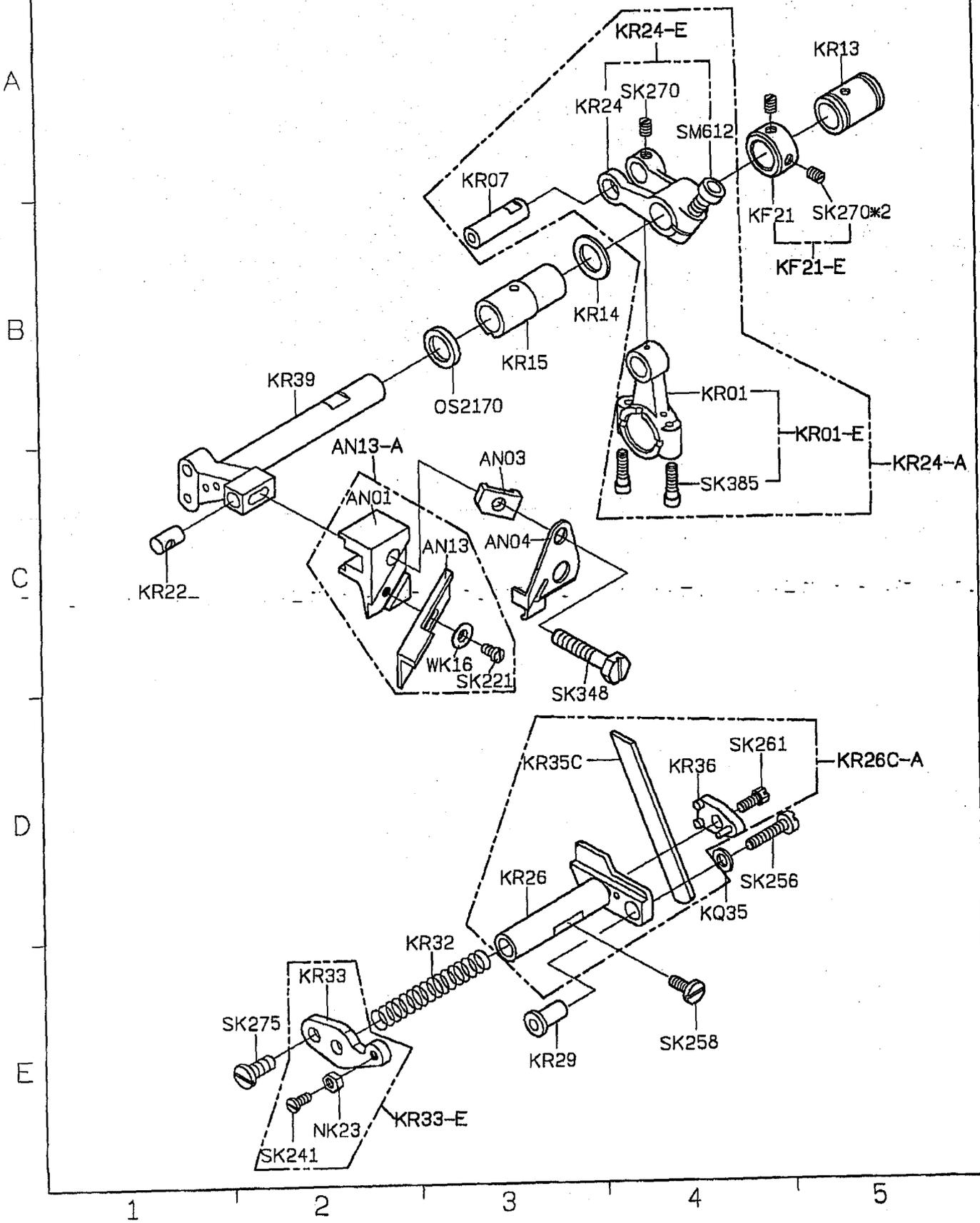
2

3

4

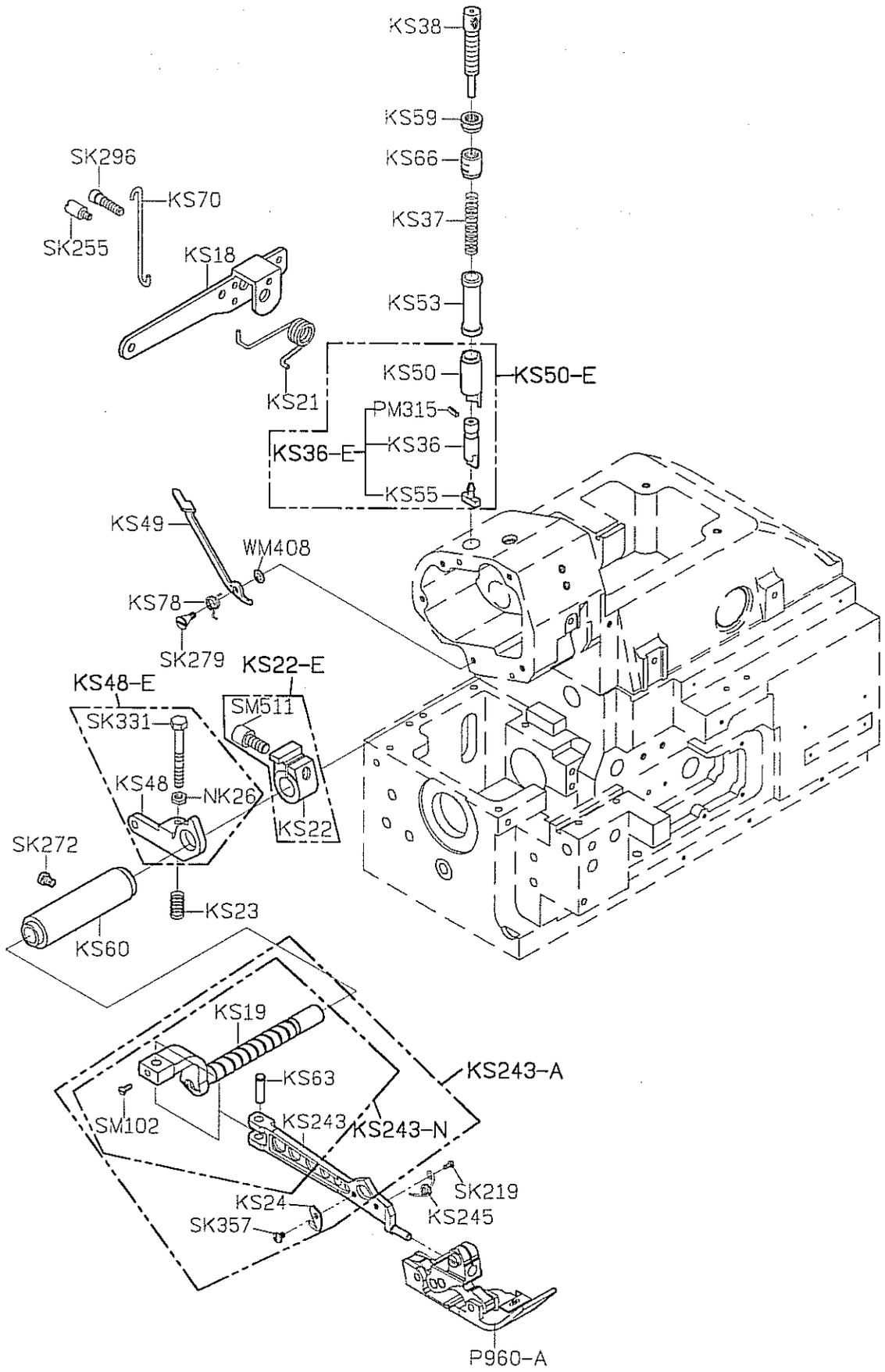
5

SIRUBA PARTS LIST	Series	Parts Group	Subclass / Remark	Page
	700UX	KR		1/1
				Date
				2013/08/10

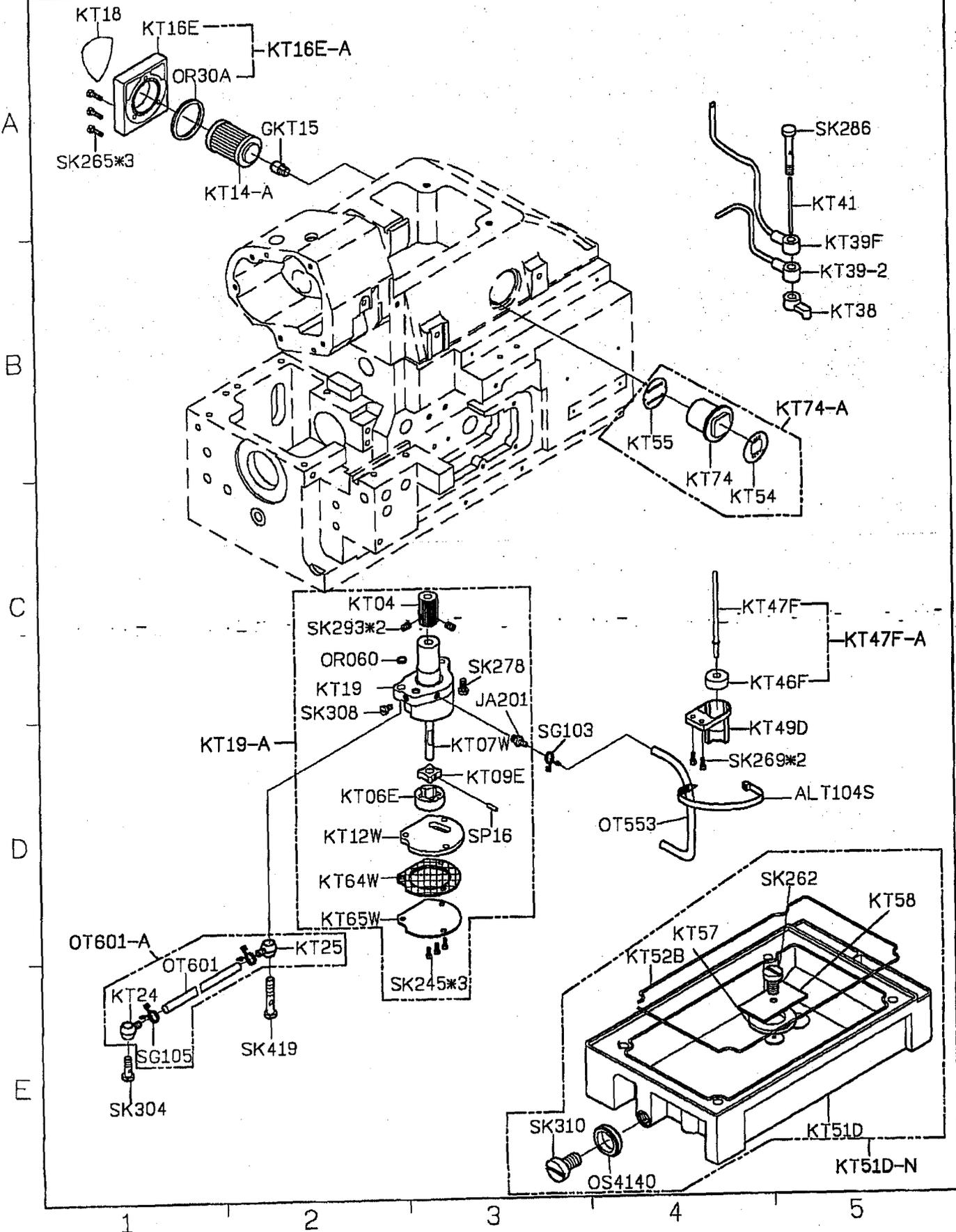


SIRUBA PARTS LIST	Series	Parts Group	Subclass / Remark	Page
	700UX	KS		1/1
			Date	
			2013/11/01	

A  
B  
C  
D  
E



SIRUBA PARTS LIST	Series	Parts Group	Subclass / Remark	Page
	700UX	KT		1/1
				Date
				2013/08/10



SIRUBA PARTS LIST	Series	Parts Group	Subclass / Remark	Page
	700UX	KU		1/1
				Date
				2013/08/10

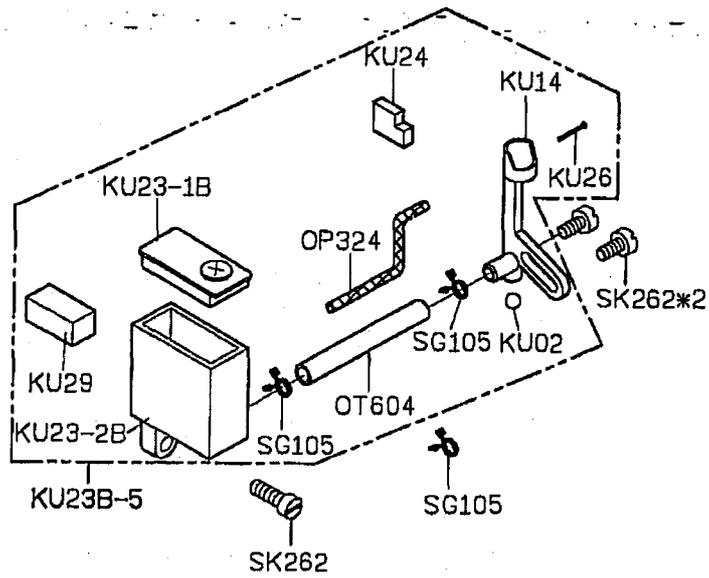
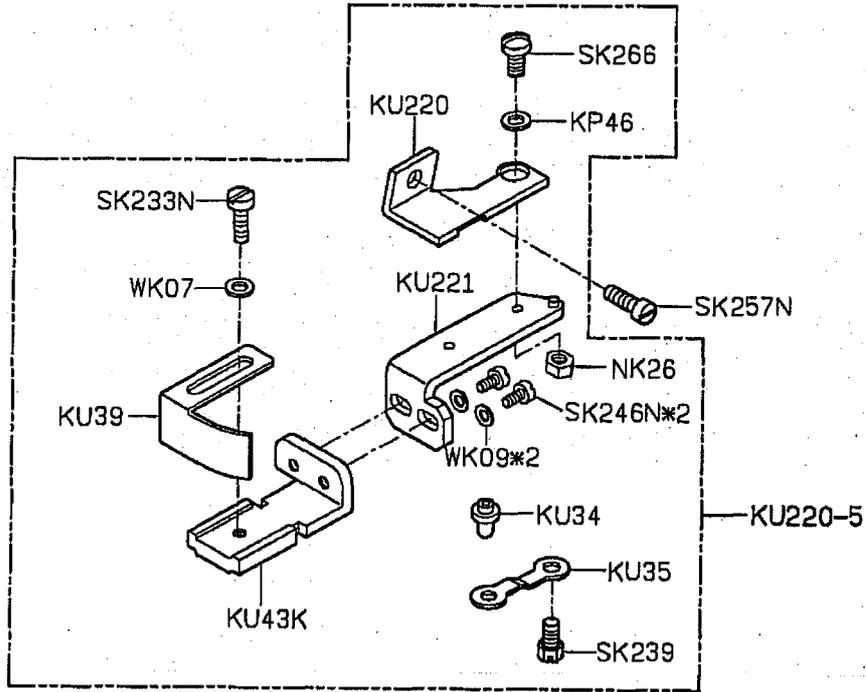
A

B

C

D

E



1

2

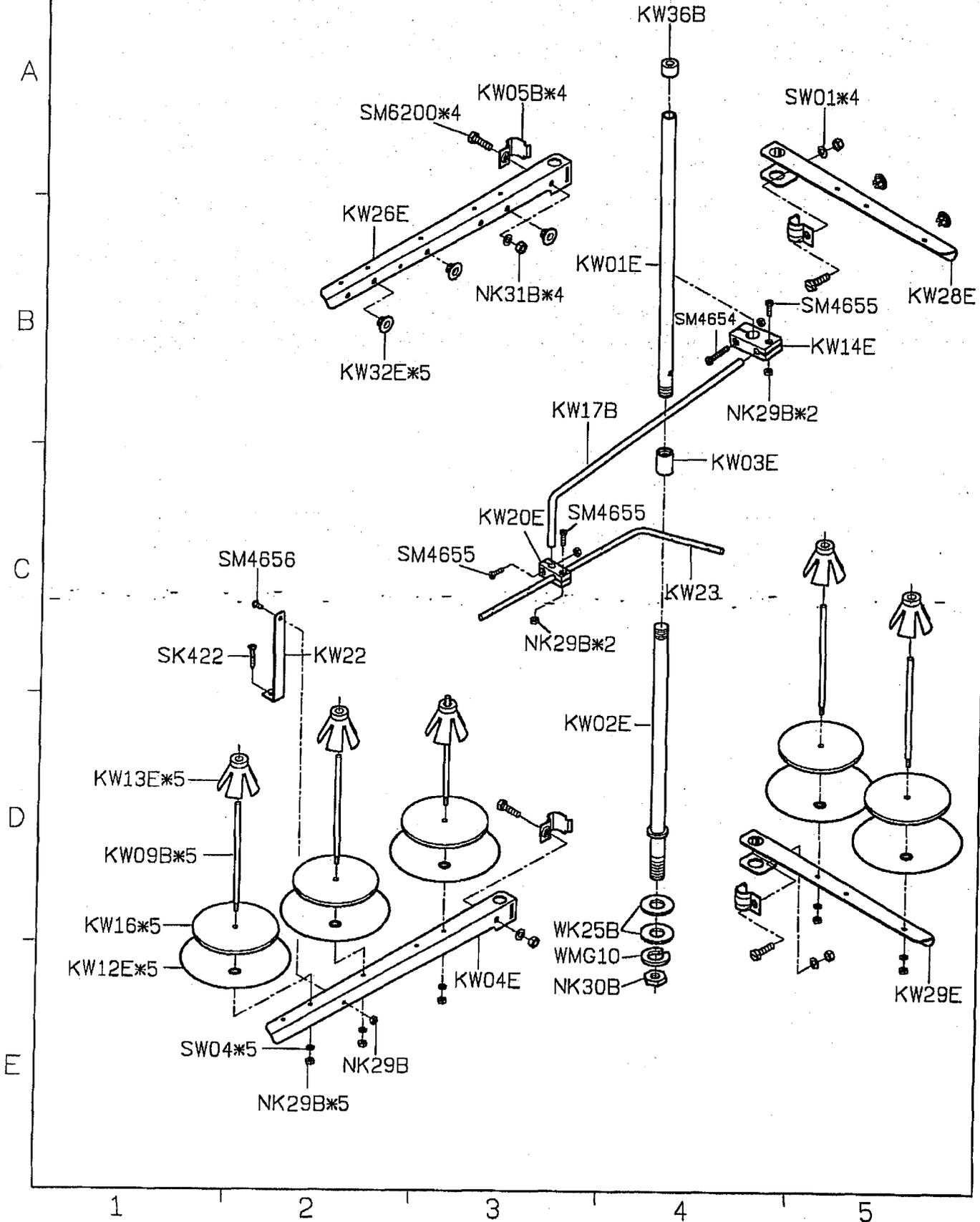
3

4

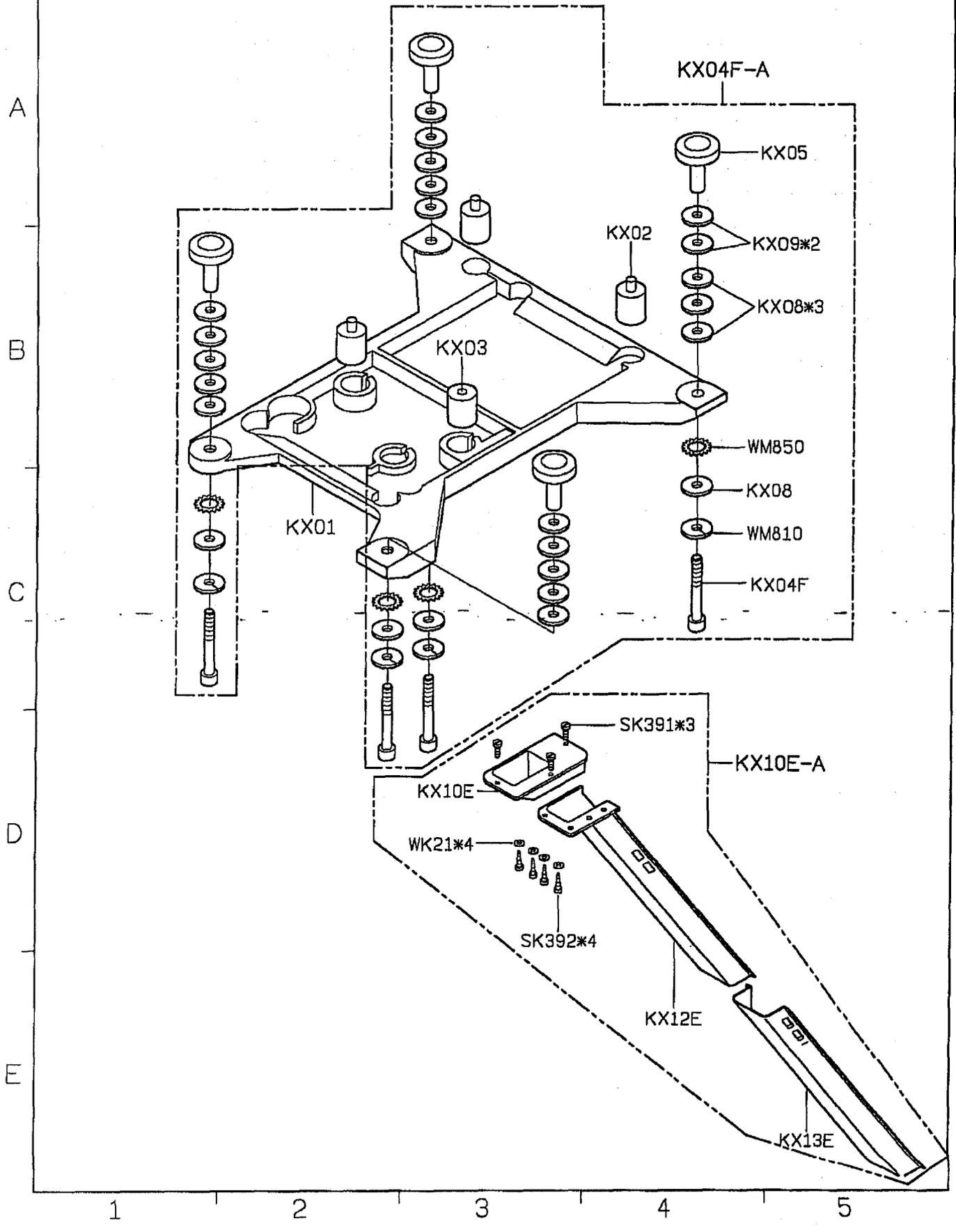
5

<b>SIRUBA</b> PARTS LIST	Series	Parts Group	Subclass / Remark	Page
	<b>700UX</b>	<b>KW</b>		1/1
				Date
				2013/08/10

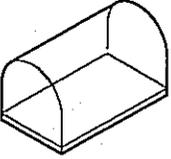
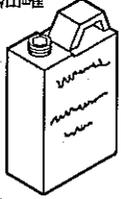
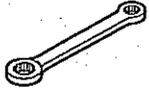
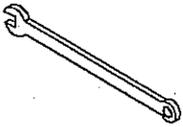
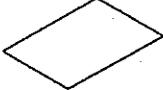
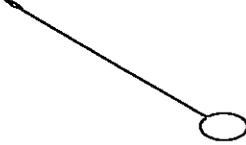
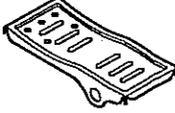
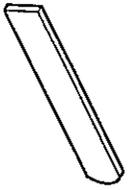
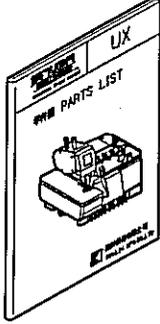
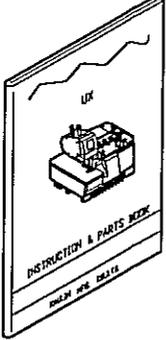
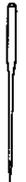
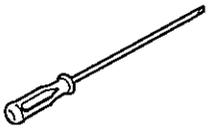
KW40E-5



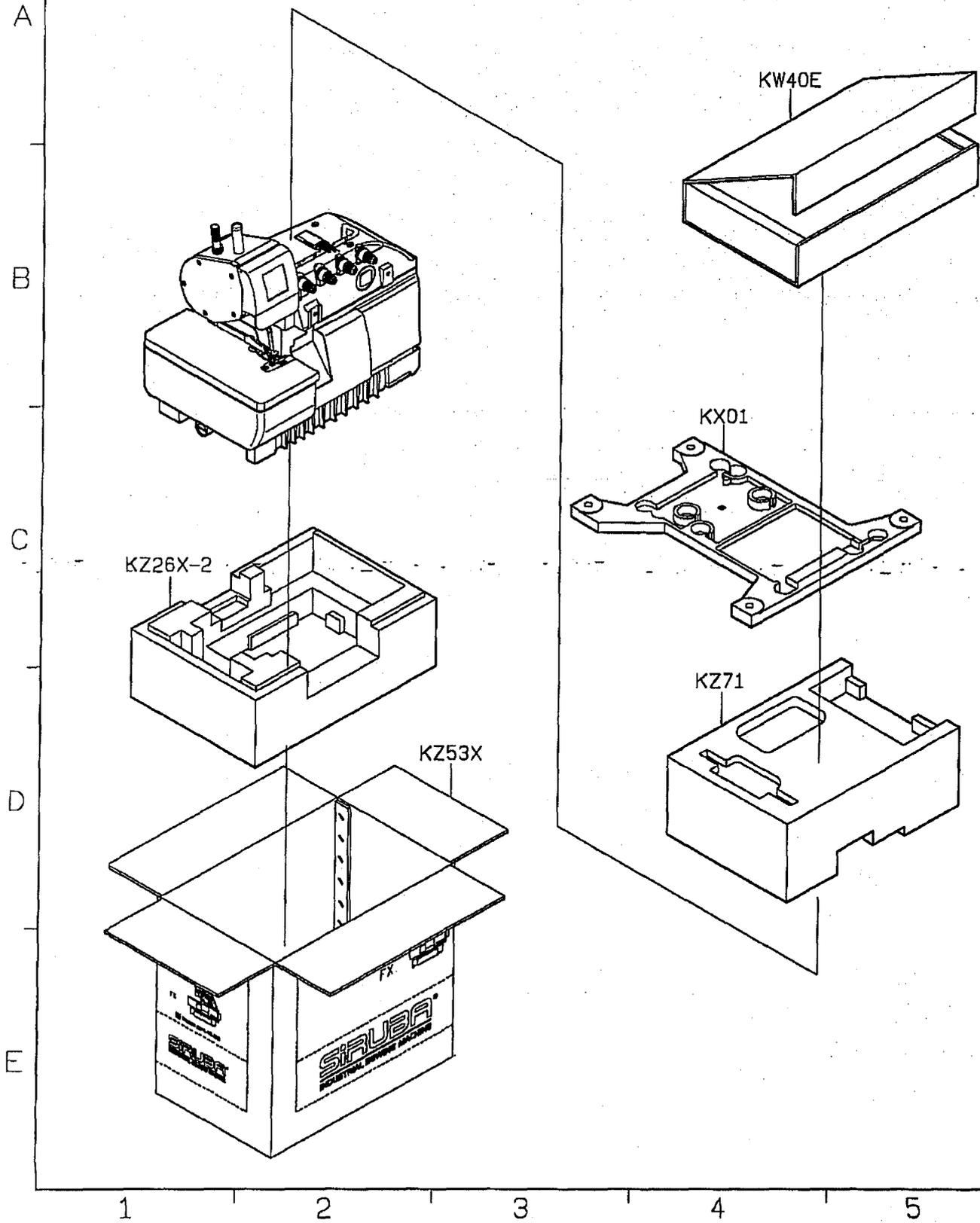
SIRUBA PARTS LIST	Series	Parts Group	Subclass / Remark	Page
	700UX	KX		1/1
				Date
				2013/08/10



SIRUBA PARTS LIST	Series	Parts Group	Subclass / Remark	Page
	700UX	KY		1/1
				Date
				2013/09/10

<p>KY01 防塵罩</p> 	<p>KY02-A 油罐</p> 	<p>KY03 油壺</p> 	<p>KY04 漏斗</p> 	<p>KY05 油壺</p> 	
<p>KY23-A</p>		<p>KY10-A</p>			
<p>KY23 內六角扳手</p> 	<p>KY09 開口扳手</p> 	<p>KY10 六角扳手</p> 	<p>KY11 六角扳手</p> 	<p>KY12 六角扳手</p> 	
<p>KY30 針板紙</p> 	<p>KY14 內六角螺絲起子</p> 	<p>KY18 鑷子</p> 	<p>KY19 穿線器</p> 	<p>KY20D-A 腳踏板</p> 	<p>KY21-A/MY21 鉤子/鍊條</p> 
<p>KY201 工具袋</p> 	<p>KR35C 下刀片</p> 	<p>KT14-A 濾油器</p> 	<p>KZ08UX 零件圖</p> 	<p>KZ08UX-2 使用說明書</p> 	<p>KZ03 乾燥劑</p> 
<p>針*4</p> 	<p>SK216 螺絲</p> 	<p>MY11 六角扳手</p> 			
<p>LY33-A</p>					
<p>LY33 一字起子</p> 	<p>LY34 一字起子</p> 				

SIRUBA PARTS LIST	Series	Parts Group	Subclass / Remark	Page
	700UX	KZ		1/1
				Date
				2013/08/10



**SIRUBA**

PARTS LIST

Series

Parts Group

Subclass / Remark

Page

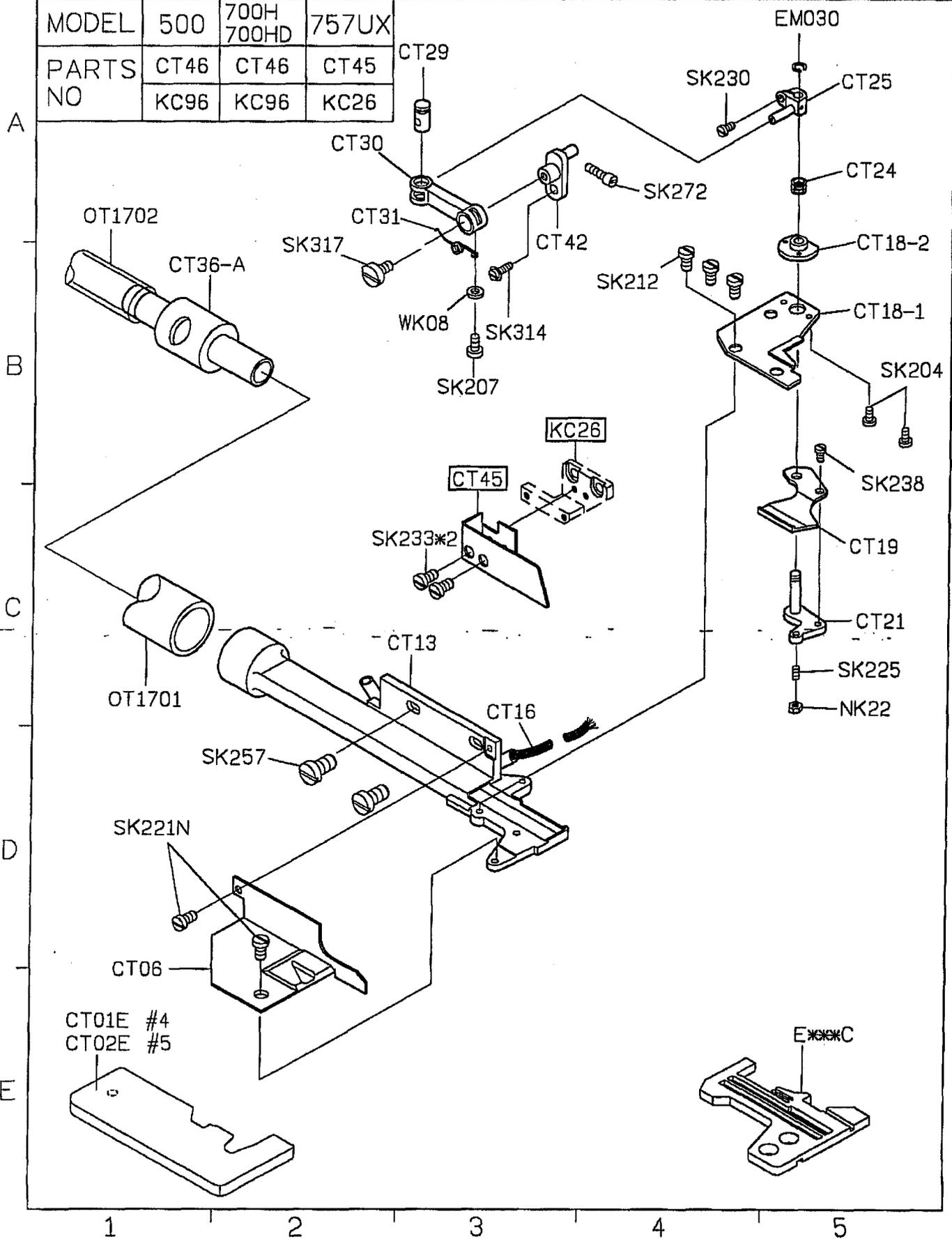
**700UX CT-F**

1/1

Date

2013/08/10

MODEL	500	700H 700HD	757UX
PARTS NO	CT46 KC96	CT46 KC96	CT45 KC26



1

2

3

4

5



**SIRUBA**

PARTS LIST

Series

**700UX**

Parts Group

**EC-F**

Subclass / Remark

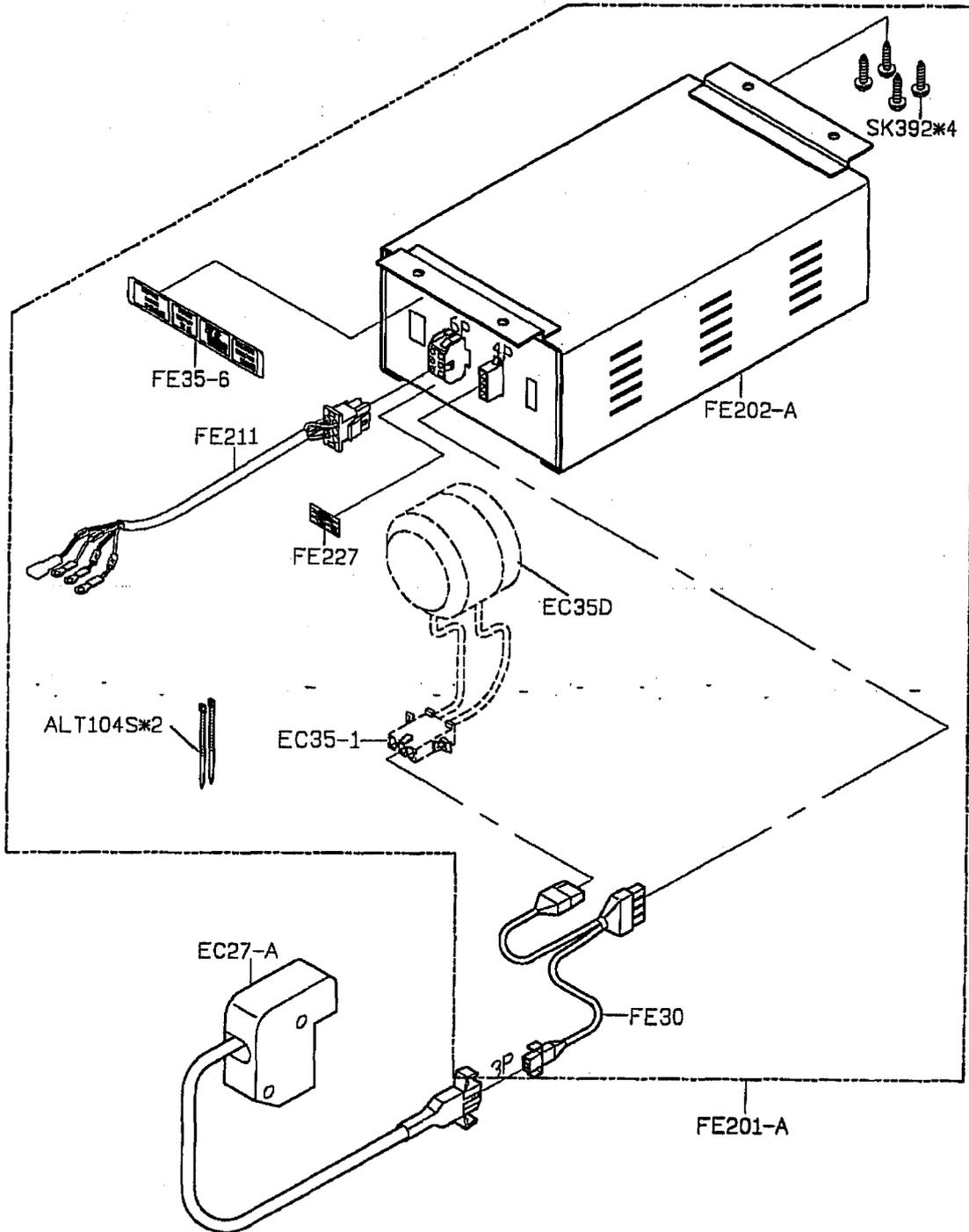
Page

2/3

Date

2013/08/10

A  
B  
C  
D  
E



1 2 3 4 5

**SIRUBA**

PARTS LIST

Series

**700UX**

Parts Group

**EC-F**

Subclass / Remark

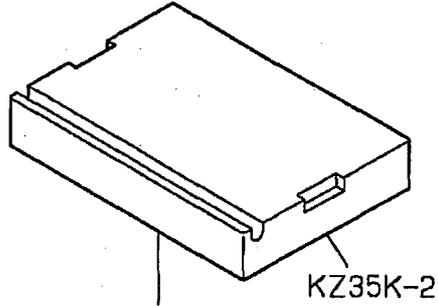
Page

3/3

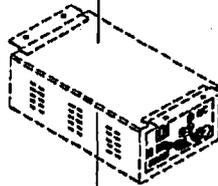
Date

2013/08/10

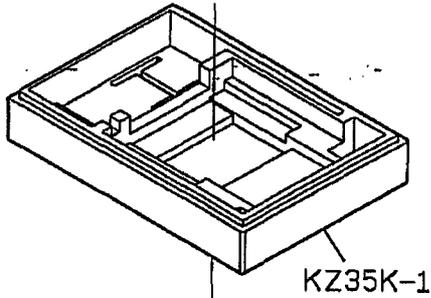
A



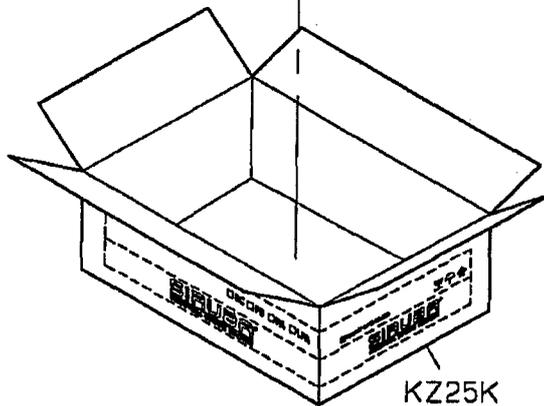
B



C



D



E

1

2

3

4

5

SIRUBA PARTS LIST	Series	Parts Group	Subclass / Remark	Page
	700UX	FLP		1/1
				Date
				2013/08/10

